

# Exhaust gas thermometer

type 3080 and 3081

case dim 100 mm with compression fitting

E 10.31.01

Ed.12.01

<b>Design</b>	Dial thermometer, silicone oil filled, specially adapted to measure diesel engine exhaust gas temperature. Stabilized against vibrations with silicon oil filled case.
<b>Type</b>	<b>3080</b> = Vertical stem <b>3081</b> = Horizontal stem
<b>Case dim</b>	Dim 100 mm
<b>Case</b>	Black enamelled, die-cast aluminium, silicone oil filled
<b>Measuring system</b>	Expansion type with bourdon-tube
<b>Temperaure range</b>	+50+650° C
<b>Mounting</b>	Horizontal or vertical stem
<b>Stem</b>	Ø 12 mm of steel
<b>Immersion lenght</b>	L = 100, 150, 200, 250, 300 or 350 mm
<b>Connection</b>	Compression fitting G 1/2" for stem Ø 12 mm
<b>Thermowell</b>	Separate thermowell of steel or stainless steel 316L can be supplied as optional extra.
<b>Optional extra</b>	Compression fitting M18x1,5 for stem Ø 12 mm



Type 3080

Code for standard design			Vertical	Horizontal
Length	Dim	Conn	3080	3081
L = 100	Ø 12	G 1/2"	30802821	30812821
L = 150		G 1/2"	30802822	30812822
L = 200		G 1/2"	30802823	30812823
L = 250		G 1/2"	30802824	30812824



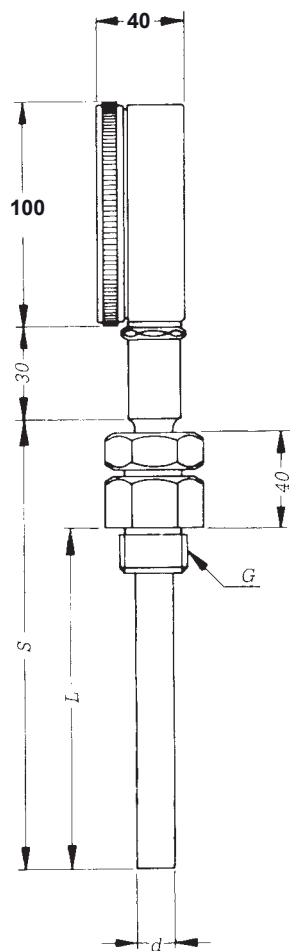
Type 3081

# Exhaust gas thermometer

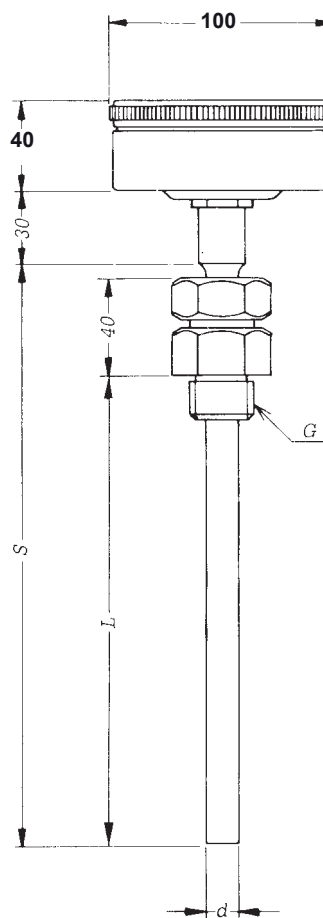
type 3080 and 3081

case dim 100 mm with compression fitting

E 10.31.01



3080



3081

## Compression fitting

L	S	d	G
100	140	12	G 1/2"
150	190	12	G 1/2"
200	240	12	G 1/2"
250	290	12	G 1/2"
300	340	12	G 1/2"
350	390	12	G 1/2"

As option the compression fitting  
can also be delivered with  
G 3/4", M18x1,5 eller M20x1,5